



Gold Series

vănEE 1001 ERV

Part no. 43808

64 to 136 CFM (0.3 in. w.g.)

60 to 123 CFM (0.4 in. w.g.)



VB0024

FOR RENOVATION AND CUSTOM BUILT HOUSES

Designed for homeowners seeking the best performance, added value, quality and a longer warranty. Recognized for its unsurpassed quality and superior craftsmanship, the Gold Series reflects a new level of exceptional performance. It is guaranteed to satisfy the homeowner looking for durability, reliability and performance. The Gold Series: The best of the vănEE experience.

Solid Performances

- Best heat recovery in its category
- Best airflow range in its category
- Exclusive convertible ERV (Latent Recovery Core) to an HRV
- Gold Series blower design makes the unit quieter than ever

Superior Craftsmanship

- External electrical access side panel
- Integrated balancing dampers
- All parts removable in 5 minutes
- Aluminum framed foam filter
- Improved sliding system for core insertion
- Exclusive, deeper one piece condensation tray to prevent water leakage
- No sharp angles on metal parts
- Exclusive, reinforced housing
- Improved defrost damper and damper mechanism, designed to operate during the toughest weather conditions

Tradition of Quality

- Proven technology and mechanical simplicity for energy recovery
- Low motor temperature operation for longer life expectancy
- 5-year warranty
- ENERGY STAR® qualified

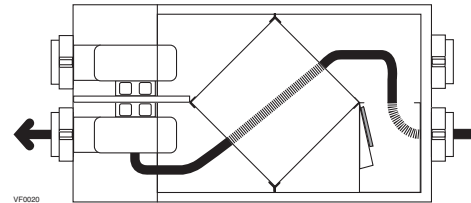
Available at:

ENERGY RECOVERY VENTILATOR

Controls and options

- Our main control Platinum (no. 40460) allows you to manage your ventilation with a programmable mode. Also included, our fully automated optimizer mode called the Smart mode
- The following main control is also available:
 - Basic no. 40210
- One or more of the following optional controls can be added:
 - 20/40/60-min. push button no. 03701
 - 60-min. mechanical timer no. 00910
- Integrated furnace interlock relay
- Complete line of registers and diffusers available
- Electric duct heater

No Negative Pressure Defrost



OUTSIDE TEMPERATURE		DEFROST CYCLE DEFROSTING MIN./ OPERATING MIN.
°C	°F	
WARMER THAN -5	WARMER THAN 23	NO DEFROST
-5 TO -27 & COLDER	23 TO -17 & COLDER	6/32
		6/20

Energy Recovery Core

Dimensions: 12" x 12" x 12 .875" (30.5 x 30.5 x 32.7 cm)

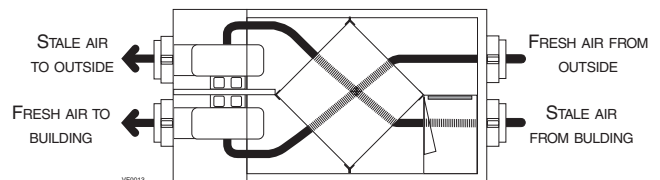
Exchange surface: 116 ft² (10.78 m²)

Weight: 8.9 lb (4.03 kg)

Type: Crossflow

Material: Enthalpic transfer media

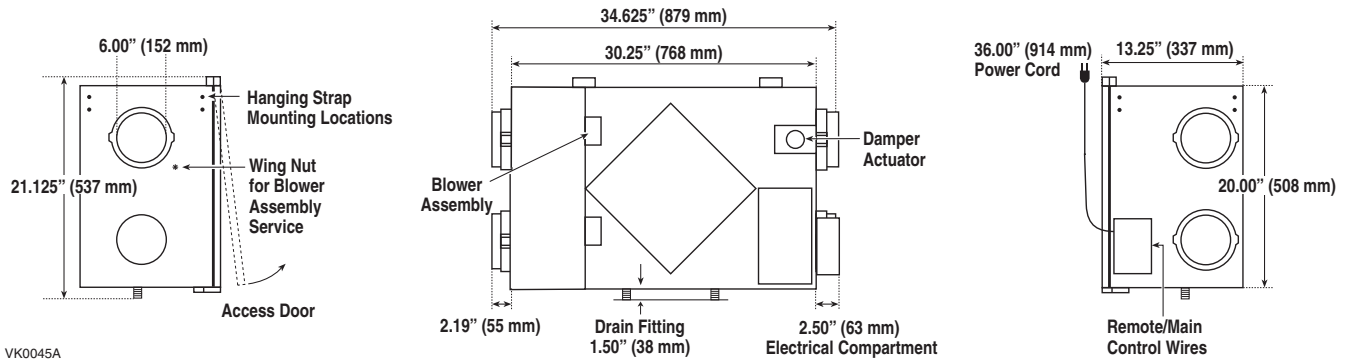
Warranty: 5 years



Requirements and Standards

- Complies with the CSA C22.2 no. 113 Standard applicable to ventilators
- Complies with the CSA C444 requirements regulating the installation of Energy Recovery Ventilators
- Technical data was obtained from published results of tests relating to CSA C429 Standards
- HVI certified and ENERGY STAR® qualified

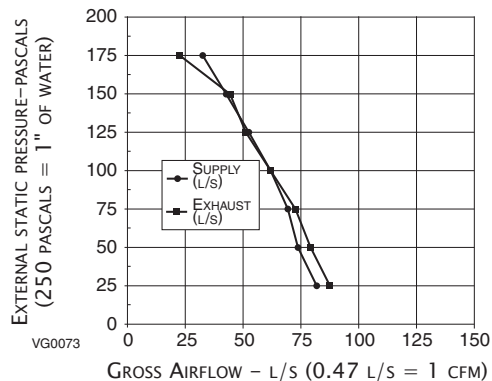
Dimensions and Service Clearances: vānEE 1001 ERV



VK0045A

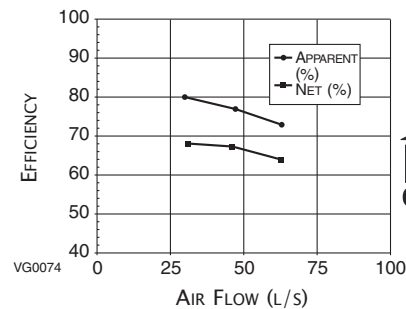
Ventilation Performance

EXTERNAL STATIC PRESSURE		NET SUPPLY AIR FLOW		GROSS AIR FLOW			
Pa	in. w.g.	l/s	cfm	SUPPLY		EXHAUST	
25	0.1	76	162	81	171	86	183
50	0.2	70	149	74	157	79	169
75	0.3	64	136	68	144	71	151
100	0.4	58	123	61	130	61	130
125	0.5	50	106	53	113	51	109
150	0.6	39	83	41	88	42	89
175	0.7	31	65	32	69	22	47



Energy Performance

SUPPLY TEMPERATURE	NET AIR FLOW	POWER CONSUMED	SENSIBLE RECOVERY EFFICIENCY	APPARENT SENSIBLE EFFECTIVENESS	LATENT RECOVERY MOISTURE TRANSFER
°C	L/S	WATTS	%	%	
HEATING					
0	32	62	68	80	0.53
0	32	82	67	77	0.42
0	32	124	64	73	0.37
-25	-13	100	55	78	0.60
COOLING					
					TOTAL RECOVERY EFFICIENCY
35	95	60	49		



Specifications

- Model: 1001 ERV
- Part Number: 43808
- Total Assembled Weight: With enthalpic transfert media core 65 lb (30 kg)
- Supply Air Duct Connections: 6" diameter
- Exhaust Air Duct Connections: 6" diameter
- Drains: 1/2" fittings
- Filters: 30 ppi washable reticulated foam 11.75" x 12.87" x 0.75" (29.85 cm x 32.69 cm x 1.9 cm)
- Housing: Pre-painted steel
- Insulation: 1" aluminum foil faced fiberglass
- Mounting: Reinforced rubber straps (or chain) and hardware provided to suspend unit
- Supply and Exhaust Blower Motors:
 - Bearings: Sleeve bearings
 - Type: PSC
- Fan Speed Control:
 - Low, increased low, high speed
 - Two speeds available to user
 - Low or increased low speed is selected at the time of installation
- Unit Electrical Characteristics:
 - Voltage: 120 V
 - Power: 147 W
 - Current: 1.4 A

NOTE: All specifications are subjected to change to change without notice.

PROJECT:	REMARKS
LOCATION:	
MODEL NO.:	
QTY.:	
SUBMITTED BY:	DATE:



550 Lemire Blvd., Drummondville, QC, Canada J2C 7W9 - Tel.: 1-800-567-3855 Fax: 1-800-567-1715



www.vanee-ventilation.com

11/01 PRODUCT SHEET no. 90198