

HEAT RECOVERY VENTILATOR

vânEE 7000 Series

Part #1600705

400 to 700 cfm (0.3 in. w.g.)



VB0040

LIGHT COMMERCIAL UNIT FOR POOL AND OTHER EXTREMELY HUMID LOCATIONS.

The 7000 Series is a multi-purpose Heat Recovery Ventilator designed for the ventilation requirements of residential, commercial and industrial applications. Utilizing a single element cross-flow core, the 7000 series is capable of airflows up to 700 cfm (330 l/s) at standard air pressure. Heat recovery can be matched to the application with up to 78% apparent sensible recovery.

- Two metal channels are permanently attached to the bottom of the case to permit easy installation
- High efficiency, direct drive, centrifugal blowers
- Energy efficient 2-speed PSC motors with sealed ball bearings
- Available with FrostBuster™ defrost system
- Low voltage control circuit for connection of dehumidistat, switches or timers

APPLICATIONS INCLUDE:

- Swimming Pools
- Night Clubs
- Fitness Centers
- Town Halls
- Commercial Office Spaces
- Many other indoor spaces
- Silk Screening Shop
- Veterinary Clinics
- Large Residential Homes
- Art Studios
- Heath Spas

WARRANTY

Subject to any applicable consumer protection legislation, vânEE warrants the HRV unit will be free from defective materials and workmanship for a 2-year period and also provides a 15-year warranty on the heat exchange core from the manufacturing date, under normal use, provided that installation is in accordance with the instructions in the operator manual.

Available at :

Controls

Standard controls

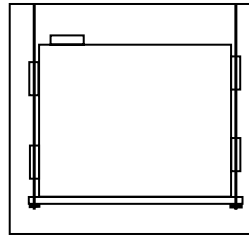
- Low voltage control circuit for connection of dehumidistat, switches or timers.
- Terminal block and strain relief bushings are provided for connection of 115 VAC.

Optional Controls

- Pool Plus™ remote wall mounted control, providing **Off - Intermittent - Low - Circulation** modes. Includes dehumidistat for high speed control.
- Dehumidistat, illuminated push buttons, crank timers.

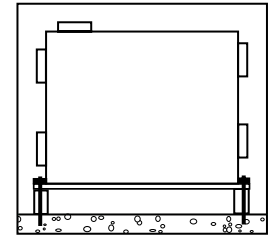
Noise and Vibration Control

- Fan housing are mounted on special vibration isolators and the fan mouth is cushioned by an Evazote gasket.
- Isolation mounts are supplied for either threaded rod hanging or floor frame mounting.



VD0072

3/8" Threaded rod and vibration isolator



Wooden curb with lag screw

Circulation

- When a Pool Plus™ is integrated for control, the circulation mode will allow high speed circulation through the supply side for as long as desired. In this mode the exhaust fan is off and the Frostbuster™ damper shuts off the fresh air from outside. This setting may be useful during warm seasons, or when air conditioning has been added to the supply ducting.

Defrost

- vânEE Frostbuster™ operates a timed cycle of circulation when outside supply temperature drops below -5°C (23°F).
- Manual circulation is available with the Pool Plus™ wall control.

Positive Shut-Off of Fresh Air

- By setting the optional remote wall control switch to "Off", the outside air will be tightly sealed off by the Frostbuster™ damper. When combined with an exhaust grille with gravity louvers, total shut-off of outside air during periods of shutdown is possible.

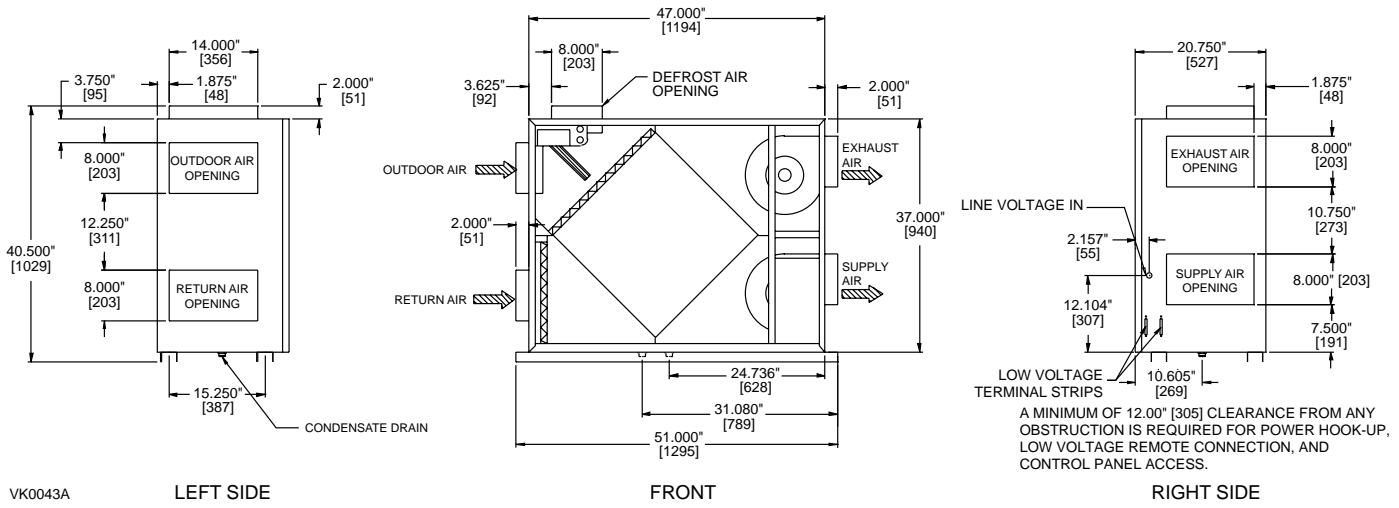
Heat Recovery Core

- Easily removable
- Material: Non corrosive polypropylene UL94V2 rating
- Heat transfer area: 450 ft² (42 m²)
- Maximum exhaust temperature: 150°F (65°C)
- Warranty: 15 years

Requirements and Standards

- Complies with the CSA C22.2 # 113 Standard applicable to ventilators.
- Complies with the CSA F444 requirements regulating the installation of Heat Recovery Ventilators.
- Complies with the UL 1812 - ducted Heat Recovery Ventilators.

Dimensions and Service Clearances: vanEE 7000 Series



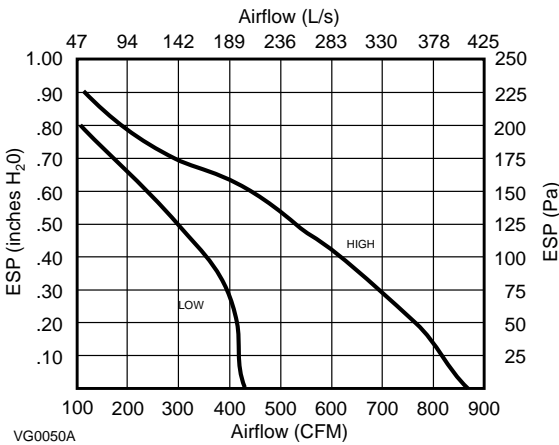
VK0043A

LEFT SIDE

FRONT

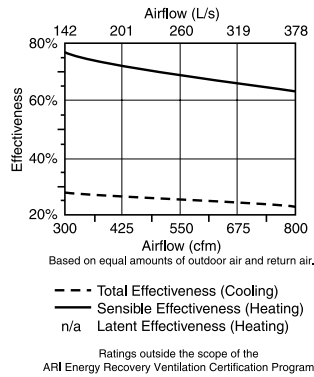
RIGHT SIDE

Ventilation



VG0050A

Efficiency



VG0051A

Model Number: PHE500-19H-23S-0.12

Type: Plate
 Nominal Airflow: 400 scfm
 Pressure Drop: 0.25 inches

Pressure Differential	Leakage Ratings			Purge Angle or Setting
	EATR	OACF		
Test 1: -5.00 inches	0%	1.00		N/A
Test 2: 0.00 inches	0%	1.00		N/A
Test 3: 5.00 inches	0%	1.00		N/A

Thermal Effectiveness Ratings at 0" Pressure Differential

	Thermal Effectiveness Ratings at 0" Pressure Differential		
	Sensible	Latent	Total
100% Airflow Heating Condition:	76%	0%	50%
75% Airflow Heating Condition:	79%	0%	52%
100% Airflow Cooling Condition:	71%	0%	27%
75% Airflow Cooling Condition:	74%	0%	29%
	Net Sensible	Net Latent	Net Total
100% Airflow Heating Condition:	76%	0%	50%
75% Airflow Heating Condition:	79%	0%	52%
100% Airflow Cooling Condition:	71%	0%	27%
75% Airflow Cooling Condition:	74%	0%	29%



Energy recovery component certified in accordance with ARI Standard 1060-2000. Actual performance in packaged equipment may vary.

Specifications and Ratings

- Model: vanEE 7000 Series
- Part Number: #1600705
- Total Assembled Weight (including polypropylene core): 210 lbs (95.25 kg)
- All Air Duct Connections: 8"x14" (200 mm x 356 mm)
- Drains: Continuous molded ABS drain pans on both exhaust and supply sides with 3/4" (1.9 cm) threaded fittings
- Filters: Standard, washable reticulated foam Supply filter may be replaced by up to 2" (50 mm) thick pleated medium efficiency disposable filter
- Cabinet: 20 GA galvanized (G90) steel with baked powder coated finish
- Insulation: 1" (2.54 cm) rigid foil faced fiberglass
- Fans and Motors:
 - High efficiency, direct drive, centrifugal blowers
 - Energy efficient 2 speed PSC motors with sealed ball bearings, polyurethane paint and stainless steel shafts
 - 1075/600 rpm, 115 VAC, 60 Hz, 2.5 amps. each
- Fan Speed Control: -Low and high speed.

Submitted by:		Date:	Project:
Qty:	Model #:	Remarks:	Location:
			Architect:
			Engineer:
			Contractor:

