



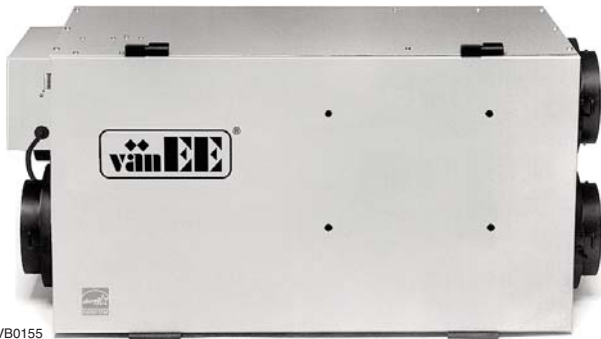
Bronze Series

vănEE 90H

Part no. 1601606

70 to 163 CFM (0.3 in. w.g.)

64 to 150 CFM (0.4 in. w.g.)



VB0155

BRONZE SERIES: PERFECT FOR NEW RESIDENTIAL CONSTRUCTION.

Affordability is a priority for the homebuilder who wants to offer a healthy environment. The vănEE Bronze Series is an entry level product that offers all the basics features for the new construction market, such as a small-sized cabinet, integrated balancing damper and a no negative pressure defrost that ensures quick installation and trouble-free operation. Moreover, its operation can be interlocked with an existing furnace without adding an extra relay. Best price for builders and contractors requiring simple, affordable and reliable products.

- New removable terminal block to ease optional wall controls connection
- Equipped with microprocessors; a proven technology known for its reliability which allows the elimination of numerous electromechanical parts that are most likely to break down
- ENERGY STAR® qualified

REPAIRS AND MAINTENANCE

All parts of the vănEE 90H that could need maintenance can be removed in less than 5 minutes, allowing direct access for easy repairs. The PSC motor is permanently lubricated.

WARRANTY

The vănEE 90H HRV is protected by a 2-year warranty on parts only. The heat recovery core is covered by a limited lifetime warranty.

Available at:

HEAT RECOVERY VENTILATOR

Controls

- This unit is very simple to operate: once it is installed, press on its push button, located on the electrical compartment, to activate it. Press once for low speed, once again for high speed and once more to stop it.
- For more convenience, the following main controls are available:
 - Lite-Touch Bronze no. 40270
 - Bronze no. 40250
- One or more of the following optional controls can be added:
 - Humidity Control no. 200694
 - 60-min. mechanical timer no. 00910
 - 20-min. lighted push button no. 1806110

Options

- Complete line of registers and diffusers
- Electric duct heater

Homeshield™ Defrosting System

The Bronze Series uses a unique defrosting method. No negative pressure is created by air exhausted to the outside, as the air is recirculated into the house, helping to prevent any backdraft.

	OUTSIDE TEMPERATURE		DEFROST CYCLE DEFROSTING MIN./ OPERATING MIN.
	°C	°F	
VF0005	WARMER THAN -5	WARMER THAN 23	No DEFROST
	-5 TO -27	23 TO -17	6/32
	-27 & LESS	-17 & LESS	6/20

Heat Recovery Core

Dimensions: 12" x 14" x 15½" (30.5 cm x 35.5 cm x 39.4 cm)

Exchange surface: 102 ft² (9.54 m²)

Weight: 6.2 lb (2.8 kg)

Material: Polypropylene

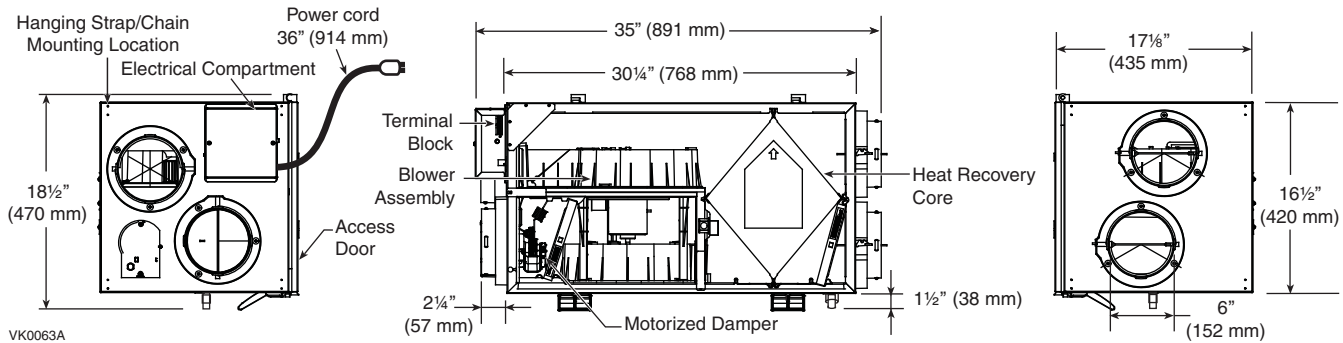
Type: Crossflow core

Warranty: Limited lifetime

Requirements and Standards

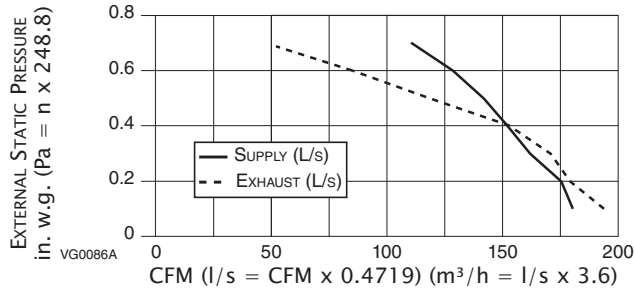
- Complies with the UL 1812 requirements regulating the installation of Heat Recovery Ventilators
- Complies with the CSA C22.2 no. 113 Standard applicable to ventilators
- Complies with CSA F326 requirements regulating the installation of Heat Recovery Ventilators
- HVI certified and ENERGY STAR® qualified
- Technical data was obtained from published results of tests relating to CSA C439 Standards

Dimensions and Service Clearances: vänEE 90H



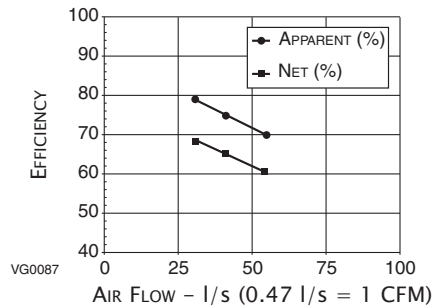
Ventilation Performance

EXT. STATIC PRESSURE	NET SUPPLY AIR FLOW			GROSS AIR FLOW						
				SUPPLY			EXHAUST			
PA	IN W.G.	L/S	CFM	M ³ /H	L/S	CFM	M ³ /H	L/S	CFM	M ³ /H
25	0.1	85	180	306	86	182	310	92	194	331
50	0.2	82	174	295	82	175	295	86	182	310
75	0.3	77	163	277	77	164	277	81	171	292
100	0.4	71	150	256	71	151	256	71	151	256
125	0.5	67	141	241	67	142	241	57	120	205
150	0.6	60	128	216	61	130	220	40	85	144
175	0.7	51	108	184	52	110	187	27	57	97



Energy Performance

SUPPLY TEMPERATURE	NET AIR FLOW			POWER CONSUMED WATTS	SENSIBLE RECOVERY EFFICIENCY	APPARENT SENSIBLE EFFECTIVENESS	LATENT RECOVERY MOISTURE TRANSFER
	°C	°F	M ³ /H				
HEATING							
0	32	31	66	111	62	67	-0.01
0	32	40	86	144	75	64	-0.01
0	32	57	120	205	90	61	-0.01
-25	-13	38	81	137	83	60	0.02



NOTE: All specifications are subjected to change without notice.

Specifications and Ratings

- Model: 90H
- Part Number: 1601606
- Total Assembled Weight (including polypropylene core): 65 lb (29.5 kg)
- Supply & Exhaust Air Duct Connections: 6" (15.24 cm) diameter
- Drains: 1/2" (1.2 cm) fittings with 10 ft (3 m) PVC drain
- Filters: -15 ppi washable reticulated foam -15.375" x 7.125" x 0.75" (39 cm x 18 cm x 1.9 cm)
- Cabinet: Pre-painted steel
- Insulation: 1" (2.54 cm) aluminum foil faced fiberglass 0.825" (2.10 cm) expanded polystyrene
- Mounting: Suspension by chains and springs
- Supply & Exhaust Blower Motor: 1 motor
 - Protection type: Thermally protected
 - Insulation class: B
 - V (motor marking): 120 V AC, 50/60 Hz, 1.2/1.0 A, 1050/1300/1660 RPM
- Fan Speed Control:
 - Low, increased low & high speed
 - Two speeds available to user
 - Low or increased low speed is selected at the time of installation
- Heat Recovery Core:
 - Heat Exchange Surface Area: 102 ft² (9.54 m²)
 - Type: Crossflow
 - Material: Polypropylene
- Unit Electrical Characteristics:

Volts	Freq.	Amps	Watts
120	60 Hz	1.3	150

PROJECT:	REMARKS
LOCATION:	
MODEL NO.:	
QTY.:	
SUBMITTED BY: DATE:	



550 Lemire Blvd., Drummondville, QC, Canada J2C 7W9 - Tel.: 1-800-567-3855 Fax: 1-800-567-1715



www.vanee-ventilation.com

11/07

PRODUCT SHEET NO. 90219