

VÄNEE VIGÖR™ ERV

Part no. 44212 (TOP PORTS)
Part no. 44213 (SIDE PORTS)

35 to 70 CFM (0.4 in. w.g.)



VB0149

**THE VIGÖR™ ERV:
PINT-SIZED, PACKS A PUNCH!**

The Vigör™ ERV is the ideal choice for condominiums, apartments and other limited space applications that require up to 70 cfm of continuous ventilation. With its compact size and 4-inch vertical or horizontal ports, it can be installed in small spaces such as a closet or mechanical room above a hot water tank. The Vigör™ ERV has just one blower (patent pending) and is therefore quieter than any other similar ERV on the market. ERV technology is a great choice for summer ventilation with air conditioning in humid climates, and for dry homes in colder climates. Read more about ERV and HRV technology at www.vanee-ventilation.com.

- At just 34 lb (15.2 kg), it can be installed without opening the unit
- Features pressure taps, balancing dampers, integrated hooks and port straps to simplify installation
- Removable terminal block for quicker wall control connections
- ENERGY STAR® qualified

REPAIRS AND MAINTENANCE

All parts of the Vigör™ ERV that could need maintenance can be removed in less than five minutes, allowing direct access for easy repairs. The PSC motor is permanently lubricated.

WARRANTY

The Vigör™ ERV is protected by a 2-year warranty on parts only. The energy recovery core is covered by a 5-year warranty, with the original proof of purchase.

Available at:

ENERGY RECOVERY VENTILATOR

Controls

- This unit is very simple to operate: once it is installed, use its push button, located on the unit top left side, to select high speed, low speed or to stop it (the blower is off but will turn on in response to a wall control signal). The LED (located under the push button) will then show on which mode the unit is in.
- The following main wall controls are available:
 - Platinum no. 40460
 - Lite-Touch Bronze no. 40270
 - Simple-Touch Bronze no. 40290
 - Bronze no. 40250
- Also, up to 5 of the following auxiliary wall controls can be added:
 - 20-min. lighted push button no. 1806110
 - 20/40/60-min. push button no. 03701
 - 60-min. crank timer no. 00910
 - Humidity Control no. 200694

Options

- Complete line of registers and diffusers
- Exclusive wall mounting bracket no. 19255

Defrosting System

The Vigör™ ERV uses a unique recirculation defrost method, which maintains balanced air pressure in the home. If there is a call for ventilation from a wall control during the defrost cycle, the defrost is put "on hold" while air is exchanged, ensuring that no humid air is recirculated.

OUTSIDE TEMPERATURE		DEFROST CYCLE MIN./ OPERATING MIN.
°C	°F	
WARMER THAN -5	WARMER THAN 23	NO DEFROST
-5 TO -27	23 TO -17	7/22
-27 AND LESS	-17 AND LESS	7/15

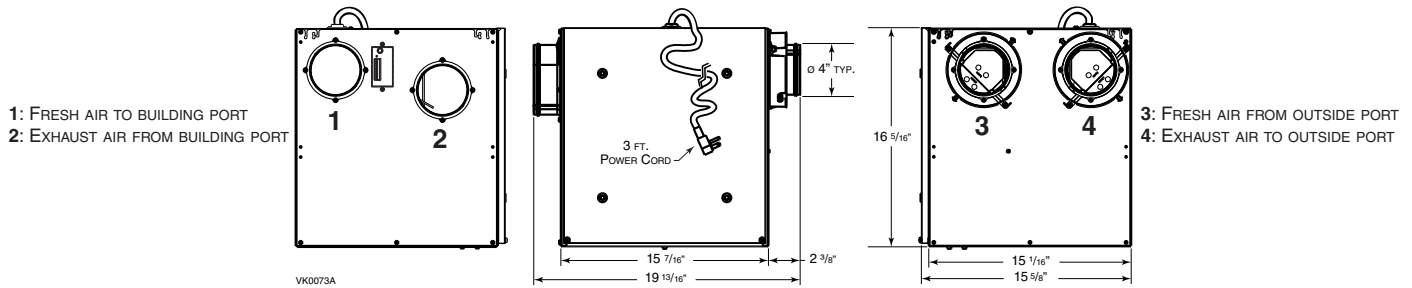
Energy Recovery Core

Dimensions: 10" x 10" x 5.5" (25.4 cm x 25.4 cm x 14 cm)
Exchange surface: 42.3 ft² (3.9 m²)
Weight: 8 lb (3.6 kg)
Material: Polymerized paper
Type: Crossflow
Warranty: 5 years

Requirements and Standards

- Complies with the UL 1812 requirements regulating the installation of Energy Recovery Ventilators
- Complies with the CSA C22.2 no. 113 Standard applicable to ventilators
- Complies with CSA C444 requirements regulating the installation of Energy Recovery Ventilators
- Technical data was obtained from published results of tests relating to CSA C439 Standards
- HVI certified and ENERGY STAR® qualified

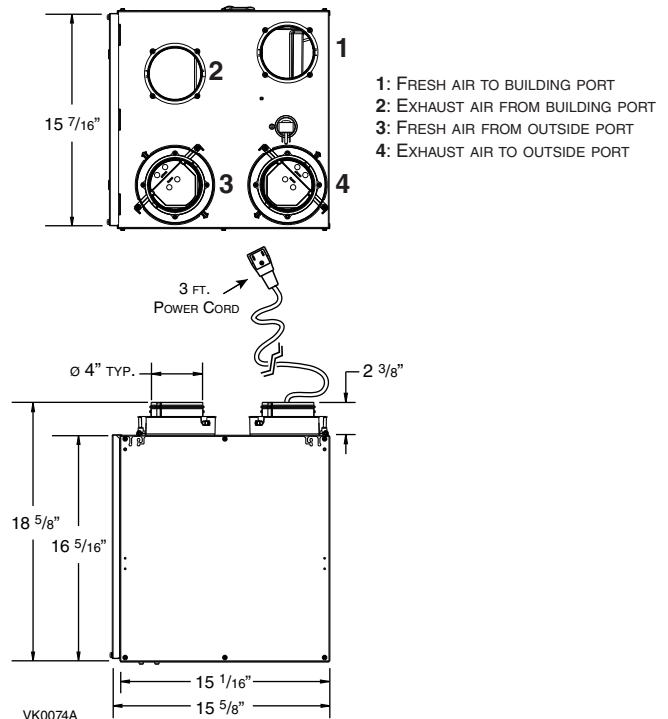
Dimensions: Vigör™ ERV (side ports)



Ventilation Performance

EXT. STATIC PRESSURE	NET SUPPLY AIR FLOW			GROSS AIR FLOW						
				SUPPLY			EXHAUST			
PA	IN. W.G.	L/S	CFM	M ³ /H	L/S	CFM	M ³ /H	L/S	CFM	M ³ /H
25	0.1	39	82	139	39	84	143	39	83	141
50	0.2	37	78	133	38	80	136	37	79	134
75	0.3	35	75	127	36	77	131	35	75	127
100	0.4	33	70	119	34	72	122	34	71	121
125	0.5	32	67	114	33	69	117	32	67	114
150	0.6	29	62	105	30	64	109	29	61	104
175	0.7	28	59	100	28	60	102	27	57	97
200	0.8	26	55	93	26	56	95	24	52	88

Vigör™ ERV (top ports)



Energy Performance

SUPPLY TEMPERATURE		NET AIR FLOW			POWER CONSUMED WATTS	SENSIBLE RECOVERY EFFICIENCY	APPARENT SENSIBLE EFFECTIVENESS	LATENT RECOVERY/MOISTURE TRANSFER
°C	°F	L/S	CFM	M ³ /H				
HEATING								
0	32	17	35	60	34	66	77	0.59
0	32	30	64	109	50	60	69	0.54
-25	-13	17	36	61	43	56	75	0.55
COOLING								
35	95	17	36	61	34	TOTAL RECOVERY EFFICIENCY		50

NOTE: All specifications are subject to change without notice.

Specifications and Ratings

- Model: Vigör™ ERV
- Part Number top ports: 44212
- Part Number side ports: 44213
- Total Assembled Weight (including polymerized paper core): 34 lb (15.2 kg)
- Round 4" ducts
- Core filters: 2 washable Merv 6 9.2" x 14.25" x 3.8" (23.4 cm x 36.2 cm x 9.6 cm)
- Housing: Pre-painted steel
- Insulation: Expanded polystyrene
- Mounting: Suspension by chains and springs or optional wall bracket
- Supply & Exhaust Blower Motor: 1 motor
 - Protection type: Thermally protected
 - Insulation class: B
- Speed Control on unit: Low & High speed. Other modes available with main and auxiliary wall controls
- Energy Recovery Core:
 - Heat Exchange Surface Area: 42.3 ft² (3.9 m²)
 - Type: Crossflow
 - Material: Polymerized paper
- Unit Electrical Characteristics:

Volts	Frequency	Ampere	Watts
120	60 Hz	0.5	60

PROJECT:	REMARKS
LOCATION:	
MODEL NO.:	
QTY.:	
SUBMITTED BY:	DATE:



Residential Product Group, 550 Lemire Blvd., Drummondville, QC, Canada J2C 7W9 - Tel.: 1-800-567-3855 Fax: 1-800-567-1715



www.vanee-ventilation.com

VigorERVd110511