

## VÄNEE VIGÖR™ HRV Plus

Part no. 44202 (TOP PORTS)

Part no. 44203 (SIDE PORTS)

35 to 70 CFM (0.4 in. w.g.)



VB0147

### THE VIGÖR™ HRV PLUS: A COMPACT MACHINE THAT THINKS BIG!

The Vigör™ HRV Plus is the ideal choice for condominiums, apartments and other limited space applications that require up to 70 cfm of continuous ventilation. With its compact size and 4-inch vertical or horizontal ports, it can be installed in small spaces such as a closet or mechanical room above a hot water tank.

The Vigör HRV Plus has just one blower (patent pending) and is therefore quieter than any other similar HRV on the market.

- At just 30 lb (13.6 kg), it can be installed without opening the unit
- Features pressure taps, balancing dampers, integrated hooks and port straps to simplify installation
- Removable terminal block for quicker wall control connections
- ENERGY STAR® qualified

#### REPAIRS AND MAINTENANCE

All parts of the Vigör™ HRV Plus that could need maintenance can be removed in less than five minutes, allowing direct access for easy repairs. The PSC motor is permanently lubricated.

#### WARRANTY

The Vigör™ HRV Plus is protected by a 2-year warranty on parts only. The heat recovery core is covered by a limited lifetime warranty, with the original proof of purchase.

Available at:

## HEAT RECOVERY VENTILATOR

### Controls

- This unit is very simple to operate: once it is installed, use its push button, located on the unit top left side, to select high speed, low speed or to stop it (the blower is off but will turn on in response to a wall control signal). The LED (located under the push button) will then show on which mode the unit is in.
- The following main wall controls are available:
  - Platinum no. 40460
  - Lite-Touch Bronze no. 40270
  - Simple-Touch Bronze no. 40290
  - Bronze no. 40250
- Also, up to 5 of the following auxiliary wall controls can be added:
  - 20-min. lighted push button no. 1806110
  - 20/40/60-min. push button no. 03701
  - 60-min. crank timer no. 00910
  - Humidity Control no. 200694

### Options

- Complete line of registers and diffusers
- Exclusive wall mounting bracket no. 19255

### Defrosting System

The Vigör™ HRV Plus uses a unique recirculation defrost method, which maintains balanced air pressure in the home. If there is a call for ventilation from a wall control during the defrost cycle, the defrost is put "on hold" while air is exchanged, ensuring that no humid air is recirculated.

OUTSIDE TEMPERATURE		DEFROST CYCLE MIN./ OPERATING MIN.
°C	°F	
WARMER THAN -5	WARMER THAN 23	NO DEFROST
-5 TO -27	23 TO -17	4/20
-27 AND LESS	-17 AND LESS	6/15

### Heat Recovery Core

Dimensions: 10" x 10" x 5.5" (25.4 cm x 25.4 cm x 14 cm)

Exchange surface: 42.3 ft<sup>2</sup> (3.9 m<sup>2</sup>)

Weight: 4 lb (1.8 kg)

Material: Polypropylene

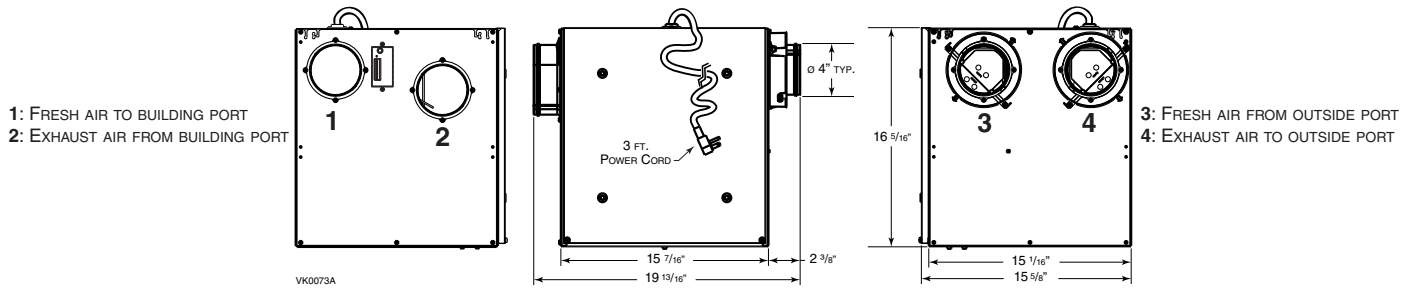
Type: Crossflow

Warranty: Limited Lifetime

### Requirements and Standards

- Complies with the UL 1812 requirements regulating the installation of Heat Recovery Ventilators
- Complies with the CSA C22.2 no. 113 Standard applicable to ventilators
- Complies with CSA C444 requirements regulating the installation of Heat Recovery Ventilators
- Technical data was obtained from published results of tests relating to CSA C439 Standards
- HVI certified and ENERGY STAR® qualified

## Dimensions: Vigör™ HRV Plus (side ports)



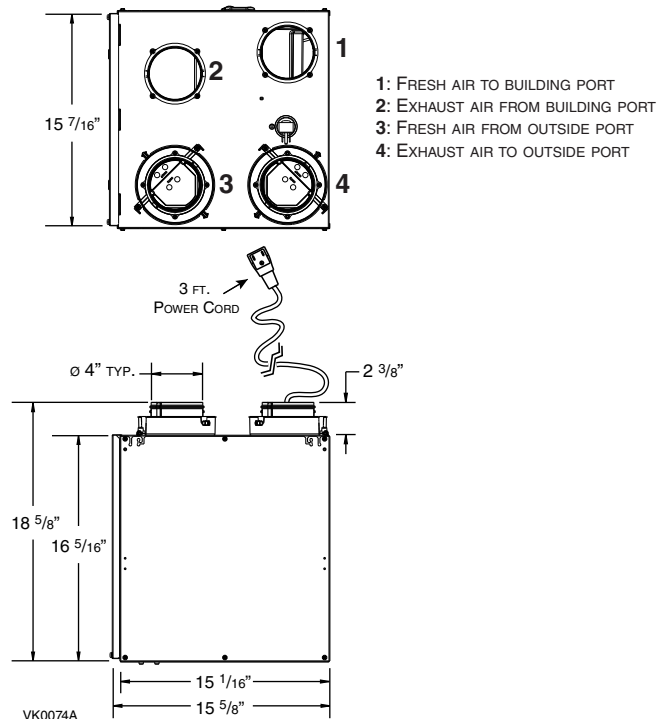
1: FRESH AIR TO BUILDING PORT  
2: EXHAUST AIR FROM BUILDING PORT

3: FRESH AIR FROM OUTSIDE PORT  
4: EXHAUST AIR TO OUTSIDE PORT

## Ventilation Performance

EXT. STATIC PRESSURE	NET SUPPLY AIR FLOW			GROSS AIR FLOW						
				SUPPLY			EXHAUST			
PA	IN. W.G.	L/S	CFM	M <sup>3</sup> /H	L/S	CFM	M <sup>3</sup> /H	L/S	CFM	M <sup>3</sup> /H
25	0.1	38	81	138	39	82	139	42	89	151
50	0.2	37	77	131	37	78	133	40	86	146
75	0.3	35	75	127	36	76	129	39	83	141
100	0.4	33	70	119	34	71	121	37	78	133
125	0.5	32	68	116	32	68	116	35	75	127
150	0.6	30	63	107	30	64	109	34	71	121
175	0.7	28	59	100	28	59	100	31	66	112
200	0.8	25	54	92	26	55	93	28	60	102
225	0.9	24	50	85	24	51	87	26	55	93

## Vigör™ HRV Plus (top ports)



1: FRESH AIR TO BUILDING PORT  
2: EXHAUST AIR FROM BUILDING PORT  
3: FRESH AIR FROM OUTSIDE PORT  
4: EXHAUST AIR TO OUTSIDE PORT

## Energy Performance

SUPPLY TEMPERATURE		NET AIR FLOW			POWER CONSUMED WATTS	SENSIBLE RECOVERY EFFICIENCY	APPARENT SENSIBLE EFFECTIVENESS	LATENT RECOVERY/MOISTURE TRANSFER
°C	°F	L/S	CFM	M <sup>3</sup> /H				
HEATING								
0	32	20	42	71	38	67	77	0.00
0	32	30	64	109	52	61	71	0.00
0	32	38	81	138	54	58	65	0.00
-25	-13	18	39	66	42	58	79	0.02
-25	-13	30	64	109	53	55	70	0.01
COOLING								
35	95	-	-	-	-	-	-	-
					TOTAL RECOVERY EFFICIENCY			
					-			

NOTE: All specifications are subject to change without notice.

## Specifications and Ratings

- Model: Vigör™ HRV Plus
- Part Number top ports: 44202
- Part Number side ports: 44203
- Total Assembled Weight (including polypropylene core): 30 lb (13.6 kg)
- Round 4" ducts
- Drain: 1/2" (1.2 cm) fittings with 10 ft (3 m) PVC drain
- Core filters: 2 washable Merv 6 9.2" x 14.25" x 3.8" (23.4 cm x 36.2 cm x 9.6 cm)
- Housing: Pre-painted steel
- Insulation: Expanded polystyrene
- Mounting: Suspension by chains and springs or optional wall bracket
- Supply & Exhaust Blower Motor: 1 motor
  - Protection type: Thermally protected
  - Insulation class: B
- Speed Control on unit: Low & High speed Other modes available with main and auxiliary wall controls
- Heat Recovery Core:
  - Heat Exchange Surface Area: 42.3 ft<sup>2</sup> (3.9 m<sup>2</sup>)
  - Type/Material: Crossflow/Polypropylene
- Unit Electrical Characteristics:
 

Volts	Frequency	Ampere	Watts
120	60 Hz	0.5	60

PROJECT:	REMARKS
LOCATION:	
MODEL NO.:	
QTY.:	
SUBMITTED BY:	DATE:



Residential Product Group, 550 Lemire Blvd., Drummondville, QC, Canada J2C 7W9 - Tel.: 1-800-567-3855 Fax: 1-800-567-1715



www.vanee-ventilation.com

VigorHRVPlusd110511