



# VIGÖR™ HRV USER GUIDE

READ AND SAVE THESE INSTRUCTIONS

REGISTER YOUR PRODUCT ONLINE AT: WWW.VANEE-VENTILATION.COM

## Congratulations!

You have made an excellent choice! The operating principle of your Heat Recovery Ventilator will give you personal comfort you have never known before.

We have prepared this User Guide especially for you. Please read it carefully to ensure you obtain full benefit from your unit. Over the coming months, you will increasingly appreciate the feeling of living in a more comfortable house.

Please take note that this manual uses the following symbols to emphasize particular information:

### ⚠ WARNING

Identifies an instruction which, if not followed, might cause serious personal injuries including possibility of death.

### CAUTION

Denotes an instruction which, if not followed, may severely damage the unit and/or its components.

NOTE: Indicates supplementary information needed to fully complete an instruction.

We welcome any suggestions you may have concerning this guide and/or the unit, and we would appreciate hearing your comments on ways to better serve you. Please contact us by phone at 1-800-567-3855.

### CAUTION

Make sure at all times that the outside intake and exhaust hoods are free from any snow during the winter season. It is important to check your unit during a big snow storm, so it doesn't draw in any snow. If this is the case, please turn the unit OFF for a few hours. Do not use your unit during construction or renovation of your house or when sanding drywall. This type of dust may damage your system. Since the electronic control system of the unit uses a microprocessor, it may not operate correctly because of external noise or very short power failure. If this happens, unplug the unit and wait approximately 10 seconds. Then, plug the unit in again.

## 1. Controls

### 1.1 Integrated Control

#### UNIT BOOTING SEQUENCE

The unit booting sequence is similar to a personal computer boot sequence. Each time the unit is plugged after being unplugged, or after a power failure, it will perform a 30-second booting sequence before starting to operate.

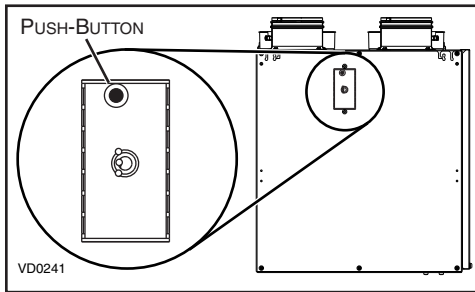
NOTE: No command will be taken until the unit is fully booted.

### ⚠ WARNING

Risk of electrical shocks. The unit CANNOT be turned off using its push-button control. Before performing any maintenance or servicing, always disconnect the unit from its power source.

The unit is equipped with an integrated control, located on the upper left side of the unit.

Use the push-button to activate two modes: Standby and Low Speed.



Push-Button Activation	Without Optional Control	Optional Control(s) Activation
Standby Mode	Standby Mode	High speed
Low Speed Mode	Low Speed Mode	High speed

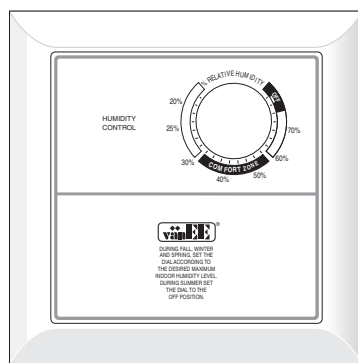
### 1.2 Optional Controls

#### Humidity Control

Adjust knob to the desired maximum indoor humidity level.

### CAUTION

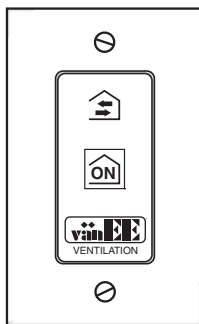
Do not select a humidity level below 30%. This could lead to excessive dryness in the air causing discomfort for the occupants.



VC0038

#### 20-minute lighted push button

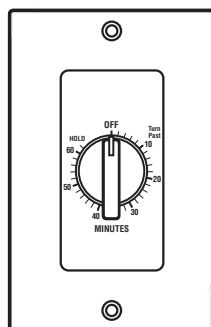
Press once to activate the push button. The unit will operate on high speed for 20 minutes and the indicator will light up. To stop activation before the end of the 20-minute cycle, push one more time. The unit will get back to its previous setting.



VC0040

#### 60-minute Crank Timer

This control makes the system operate at high speed for periods varying from 10 to 60 minutes.

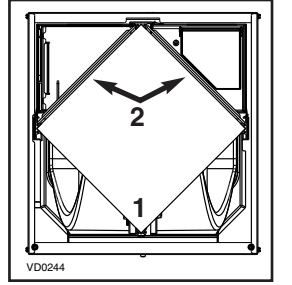


VC0017

## 2. Maintenance

### ⚠ WARNING

Risk of electric shock. Before performing any maintenance or servicing, always disconnect the unit from its power source. When cleaning the unit, it is recommended to wear safety glasses and gloves.

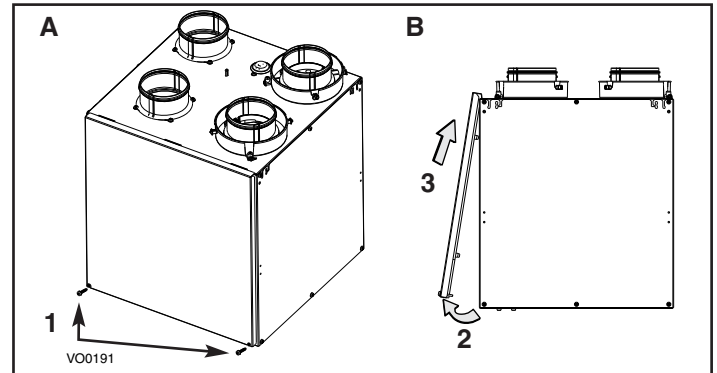


1) Core 2) Core filters

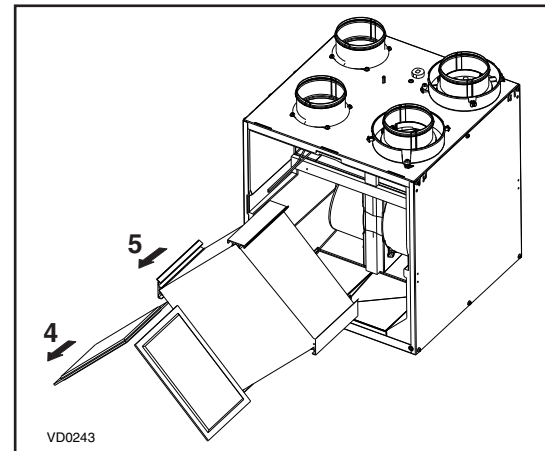
Refer to picture to the right to identify the inner parts of your unit.

### 2.1 Quarterly Maintenance

- Unplug the unit.
- Remove the unit door by following these steps:
  - Remove both door lower mechanical screws no. 8-32 x 1" (1) and set aside (as illustrated below).
  - Open (2) and lift out the door (3) (as illustrated below).



- Slide out both filters (4) from the unit (as illustrated below).
- Slide out the core (5) from the unit (as illustrated below).
- Clean the inside walls of the unit with a clean damp cloth, then wipe with a clean dry one.
- Wash both core filters under lukewarm water with mild soap. Rinse thoroughly and let dry completely before reinstalling on the core.
- Remove the dust on the core using a vacuum cleaner and a soft brush attachment.



### CAUTION

Follow the instructions on the core label to reinstall it correctly.

- Slide the cleaned core and filters into the unit.
- Reinstall the door. Secure it with both mechanical screws no. 8-32 x 1" previously removed and plug the unit.

NOTE: The unit will return to its previous setting after a 30-second delay for boot sequence.

### 2.2 Annual Maintenance

Do the same operations as the Quarterly Maintenance (Section 2.1) in addition to the following operations:

- Allow the core to soak for 3 hours in a solution of lukewarm water and mild soap (liquid soap). Rinse under a strong stream of water. Let dry and reinstall.
- Clean the exterior hoods.

## 3. Replacement Parts & Repair

In order to ensure your ventilation unit remains in good working condition, you must use vaneE genuine replacement parts only. vaneE genuine replacement parts are specially designed for each unit and are manufactured to comply with all the applicable certification standards and maintain a high standard of safety. Any third party replacement part used may cause serious damage and drastically reduce the performance level of your unit, which will result in premature failing. vaneE also recommends to contact a vaneE certified service depot for all replacement parts and repair.

## 4. Troubleshooting

PROBLEMS	TRY THIS...
Nothing works.	<ul style="list-style-type: none"> <li>See if the unit is plugged in.</li> <li>See if the unit is receiving power from the house circuit breaker or fuse.</li> <li>Press on the unit control switch as it might be on standby mode (see point 1.1).</li> </ul>
Condensation on windows. (Air too humid.)	<ul style="list-style-type: none"> <li>See Controls Section.</li> <li>Leave curtains half-open to allow air circulation.</li> <li>Store all firewood in a closed room with a dehumidifier or in a well ventilated room, or store the wood outside.</li> <li>Do not adjust the thermostat of your heating system below 18°C (64°F).</li> </ul>
Inside air too dry.	<ul style="list-style-type: none"> <li>Temporarily use a humidifier.</li> <li>See Controls Section.</li> </ul>
Air too cold at the air supply grille.	<ul style="list-style-type: none"> <li>Check if the exterior hood is not blocked.</li> <li>See Controls Section.</li> <li>Install a duct heater.</li> </ul>

VANEE, 550 LEMIRE BLVD.  
DRUMMONDVILLE, QC, CANADA J2C 7W9

09319 rev. 01



7 72371 11401 2