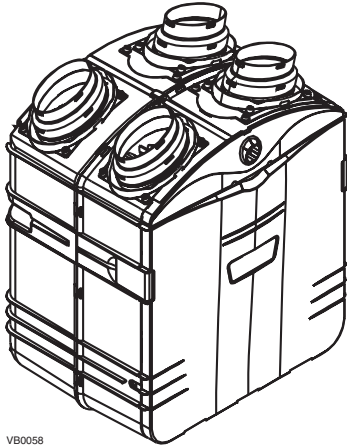


HEAT RECOVERY VENTILATOR WITH TRUE HEPA** FILTRATION*

MODEL: THH 1.0*

Part no. 44995

50 cfm (low speed)
to 90 cfm (Boost Mode)



VB0058

THE FIRST HRV WITH TRUE HEPA FILTRATION

The THH 1.0 unit is much more than conventional heat recovery ventilator. In fact, more than preheating air from outside before circulating it throughout the home, the THH 1.0 is equipped with an HEPA filter with antimicrobial protection, which traps airborne allergens such as pollen, dust, mold, bacteria, etc. This unit provides you healthy air everywhere in your home, without unpleasant cold air drafts.

- Simple and easy installation to furnace ducting or stand alone option
- The unit has ports on top, which fit both 5" or 6" round ducts
- Cabinet integrated handles
- Only one outdoor connection (with the Tandem® transition)
- A total of 90 cfm of fresh filtered air
- Ideal for town houses, small houses, etc.
- Optional wall control available
- Recirculation mode available (with the optional wall control) (wood stove, fireplace)

Why are we offering HEPA filtration in our units? Because this is the best way to trap allergens in your house. In fact, this filter catches 99.97% of all particles as small as 0.3 micron (and above). With its top quality filtration and its recovery core, the THH 1.0 will provide your home fresh healthy air and reduce ventilation costs.

** HEPA : High Efficiency Particulate Air

Available at:

Control

The THH unit is very simple to operate: once it is installed, simply turn the switch (located on the front panel) to the desired speed (OFF, Normal or Boost).

If desired, you can use the optional wall control. This control offers 3 operating modes: Normal, Boost and Recirculation. Also, it is equipped with a convenient filter maintenance indicator, reminding you when it is time to change your filters.

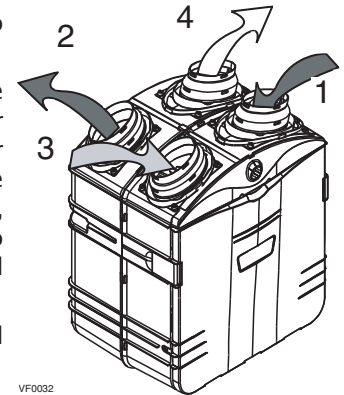
- Control no. 05536 (for vanEE unit)
- Control no. 04391 (for Venmar unit)



VC0055

Air exchange and HEPA filtration

1. Stale air from the house is drawn to the unit, and transfers its heat to the fresh incoming air.
2. Stale air is exhausted to the outside.
3. Fresh air from outside goes through the prefilter (catching the bigger particles) and the antimicrobial HEPA filter, which catches up to 99.97% of 0.3 micron and larger size particles.
4. Fresh filtered air is distributed throughout the house.



VF0032

Airborne particles trapped

- Pollen
- Fungus spores
- Tobacco smoke
- Bacteria
- Dust mite debris
- Pet danders
- Mold spores
- Dust, etc.

Maintenance

Furthermore to its easy installation, this unit is maintenance troublefree.

The prefilter should be replaced every 6 months and the complete HEPA filter cartridge should be replaced once a year.

No tools are required to perform the maintenance. Also, the motor is factory lubricated; there is no need to oil the motor.

Requirements and Standards

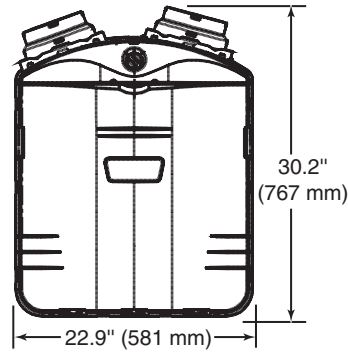
- Complies with CSA C22.2 No. 113-M1984
- Complies with UL 1812
- HVI Certified

Warranty

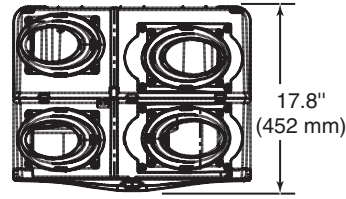
The THH 1.0 unit is fully protected by a 2-year warranty on all parts only, except for core filters, filter and prefilter.

* Patent pending

Dimensions and clearances: THH 1.0 unit



VK0049A FRONT VIEW



TOP VIEW

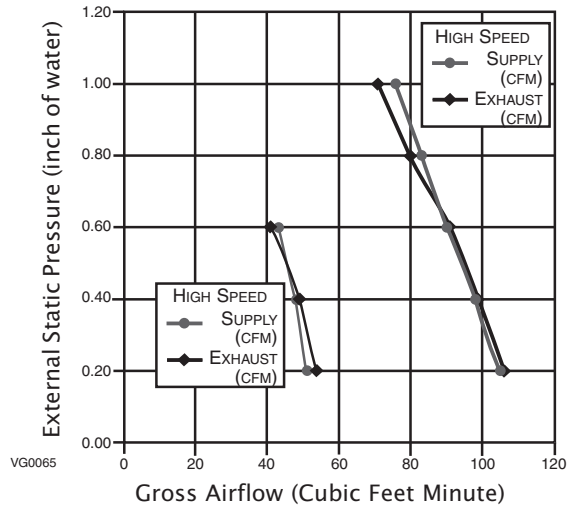
Ventilation Performance

HIGH SPEED

EXT. STATIC PRESSURE		NET SUPPLY AIR FLOW			GROSS AIR FLOW					
Pa	in. w. g.				SUPPLY			EXHAUST		
		l/s	cfm	m ³ /h	l/s	cfm	m ³ /h	l/s	cfm	m ³ /h
50	0,2	47	100	170	50	105	178	50	106	180
100	0,4	44	93	158	46	98	165	46	99	167
150	0,6	41	86	146	42	90	155	43	91	155
200	0,8	37	79	134	39	83	141	38	80	136
250	1,00	34	73	124	36	76	129	33	71	121

LOW SPEED

EXT. STATIC PRESSURE		NET SUPPLY AIR FLOW			GROSS AIR FLOW					
Pa	in. w. g.				SUPPLY			EXHAUST		
		l/s	cfm	m ³ /h	l/s	cfm	m ³ /h	l/s	cfm	m ³ /h
50	0,2	23	48	82	24	51	87	26	54	92
100	0,4	21	45	76	23	48	82	23	49	83
150	0,6	19	40	68	20	43	73	19	41	71



Energy Performance

SUPPLY TEMPERATURE		NET AIR FLOW			POWER CONSUMED WATTS	SENSIBLE RECOVERY EFFICIENCY	APPARENT SENSIBLE EFFECTIVENESS
°C	°F	l/s	pcm	m ³ /h			
HEATING							
0	+32	24	52	87	116	63	85
0	+32	35	74	126	147	59	75
0	+32	44	94	158	189	57	75
-25	-13	16	35	59	114	58	95
COOLING							
+35	+95	--	--	--	TOTAL RECOVERY EFFICIENCY		
+35	+95	--	--	--	Not tested		



Specifications and ratings

- Model: THH 1.0
- Part Number: 44995
- Total Assembled Weight: 41.2 lbs (18.7 kg)
- Mounting: Suspension by chains and springs
- Cabinet: Rugged plastic
- Motor and Blower: 90 cfm, 3300 RPM
- Ducts Collars: oval shaped, fit 5" or 6" round ducts
- Filtration: 1 prefilter plus 1 HEPA filter with antimicrobial protection, catches 99.97% of particles @ 0.3 micron and above
- Unit Electrical Characteristics:
 - Voltage: 120 Volts AC
 - Power: 192 Watts
 - Current: 1.6 Amps
 - Frequency: 60 Hz

NOTE: All specifications are subjected to change without notice.

Submitted by:		Date:	Project:
Qty:	Model no.:	Remarks:	Location:
			Architect:
			Engineer:
			Contractor:

